



FTC TABLE-TOP AUTOMATIC PIN BONE REMOVER



For Fresh and Cold smoked fillets.

The leader in Pin Bone Removal technology

FTC Table-Top Automatic Pin Bone Remover

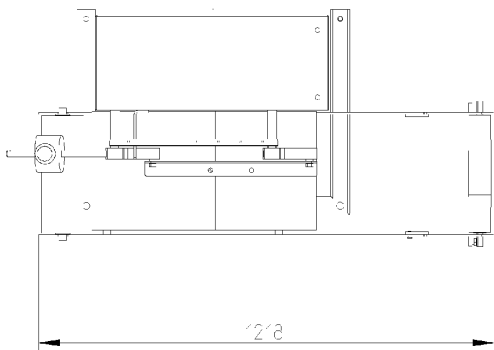
FTC Table-Top Automatic Pin Bone Remover is the solution for companies with small production and it offers the least weight loss on the market.

TRIO FTC SWEDEN has a long experience and knowledge about pin bone machines and is continuously developing the machines to fulfill customer's demands.

FTC Belt Speed Control makes it possible to adjust the belt speed freely. You can choose the best speed for your production.



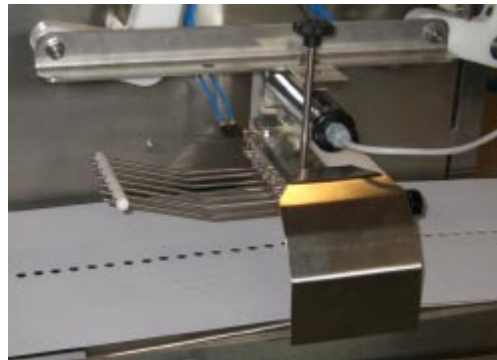
Stainless tray keeps the floor clean from pin bones.



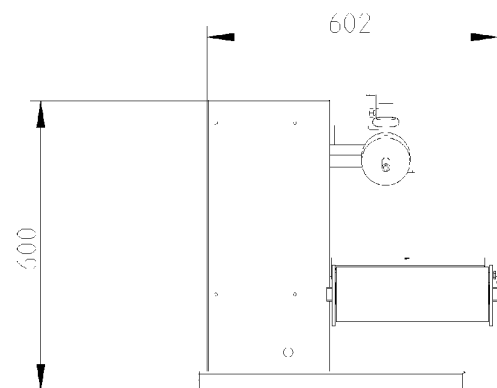
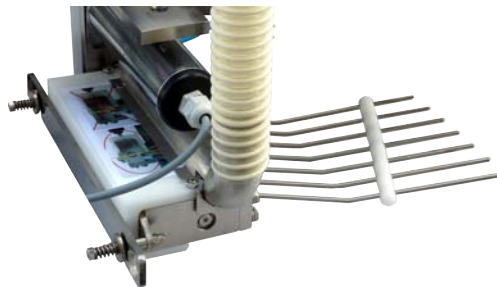
Advantages:

- * No gaping of fillet.
- * Compact.
- * Attractive price.
- * Adjustable belt speed.
- * Electric motor(208-240 V).
- * Stainless tray keeps the floor clean from pin bones.
- * With FTC Vacuum Belt System you can process slimy and/or small fillets (option)

FTC Vacuum Belt System makes sure that even small and slimy fillets stay in correct position when the wheel picks up the bones. (option)



FTC Bone Guide adjusts automatically during operation.



TECHNICAL SPECIFICATIONS

FTC TABLE-TOP AUTOMATIC PIN BONE REMOVER

OPERATORS
1 PERSON

DIMENSION:
L: 1250 MM
W: 700 MM
H: 700 MM

WORKING HEIGHT:
900 MM

ELECTRICAL POWER
208-240 V, 50/60 HZ, 1 PH
Other voltage upon request.

WATER CONSUMPTION
2 LITRE / MIN, 3 BAR

NET WEIGHT
80 KG

BELT SPEED:
UP TO 4.2 M/MIN



Pin bone removers since 1986

ADDRESS

TRIO FTC SWEDEN AB
SÖDERBYVÄGEN 8
SE-195 60 ARLANDASTAD
SWEDEN
TEL: +46-8-590 72515
FAX: +46-8-590 33630
E-MAIL: INFO@FTC-SWEDEN.SE
WEB: WWW.FTC-SWEDEN.SE
WWW.TRIO.NO

BAADER
Food Processing Machinery